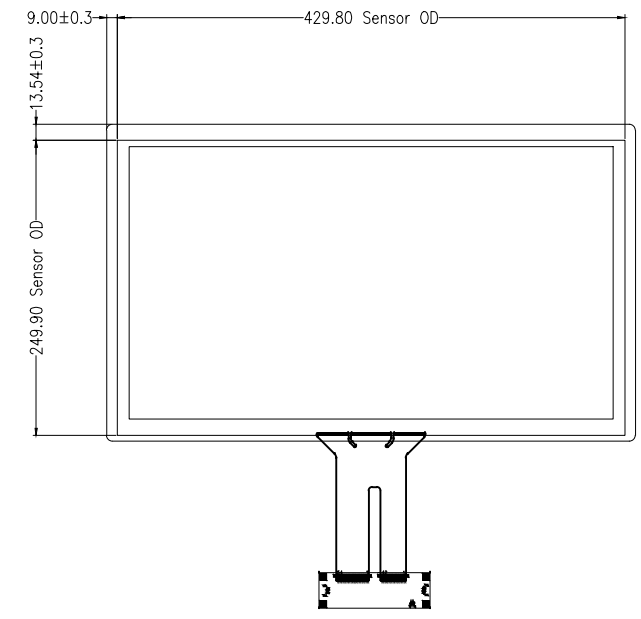
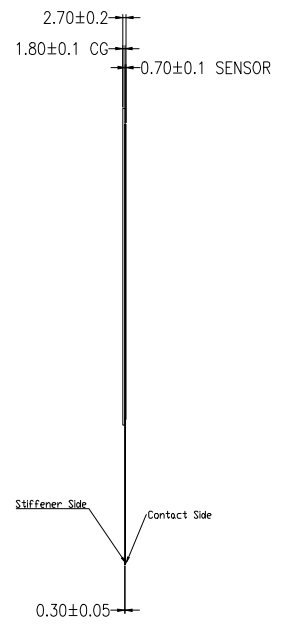
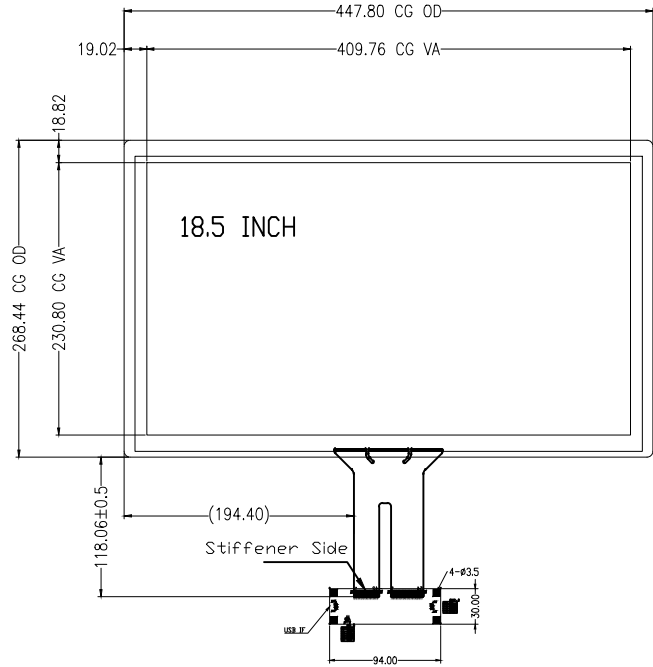


REV	DC/EC NUMBER	DESCRIPTION	DATE

TOP VIEW

SIDE VIEW

BOTTOM VIEW



- Notes :
1. Structure : G+G;
 2. Type : CDB; IC : ILI 2510 Operating Voltage: 5V
 3. Transmittance : ≥86 %
 4. Hardless : 6H
 5. Operating conditions : -10°C~+60°C , ≤85%RH
 6. Storage conditions : -20°C~+70°C , ≤85%RH
 7. Unspecified tolerance: ±0.2mm
 8. All materials in the drawing comply with the RoSH

USB Connector(J1)	
1	VCC(5V)
2	DN
3	DP
4	GND

CONTROL DIMENTION:			XINSUN DISPLAY INTEGRATION LTD.		
REFERENCE DIMENTION:	()				
APPROVED:	JOBS		MODEL NAME	3rd ANGLE	
CHECKED:	ERIC		PART NAME	UNIT	mm
DESIGNED:	ISSCA		DRAWING NUMBER	SCALE	1:1
			MATERIAL NUMBER	PAGE	1/1