

4. General Specifications

ADB-050WV01AM1 is a from CVBS and VGA signal to change the TTL signal board.

This board is used in the 4.3 and 5.0 inch 480RGB*272,800RGB*480 TFT.

4.1 Product Function Description

4.1.1 CVBS 1.0Vp-p75Ω signal input

4.1.2 VGA : 480RGB*272,800RGB*480(Frame:60~70HZ)

4.1.3 Power input DC +12.0V

4.1.4 Multi-function OSD operation

4.1.5 With remote control (optional)

5. Operating and Storage Environment

5.1 Operating Temperature: -10°C~+60°C

5.2 Operation Humidity: 90%RH (no condensation)

5.3 Storage Temperature: -20°C~+70°C

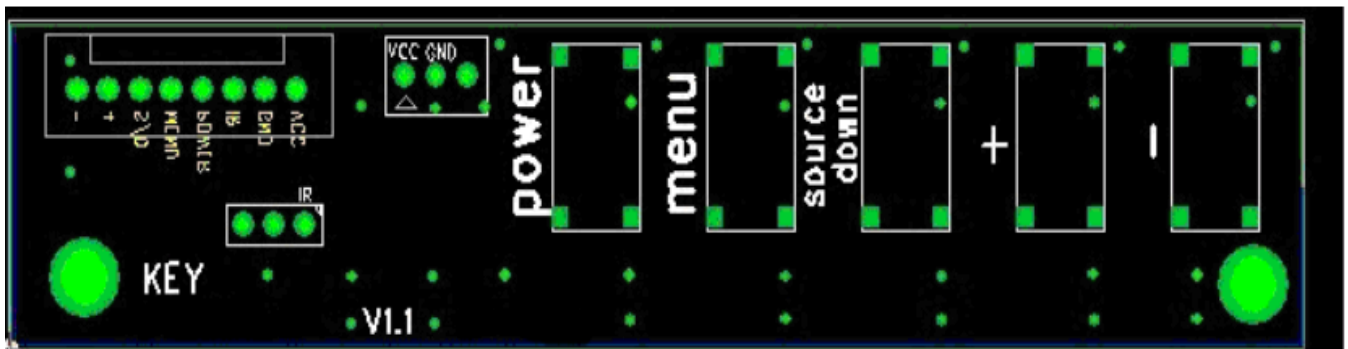
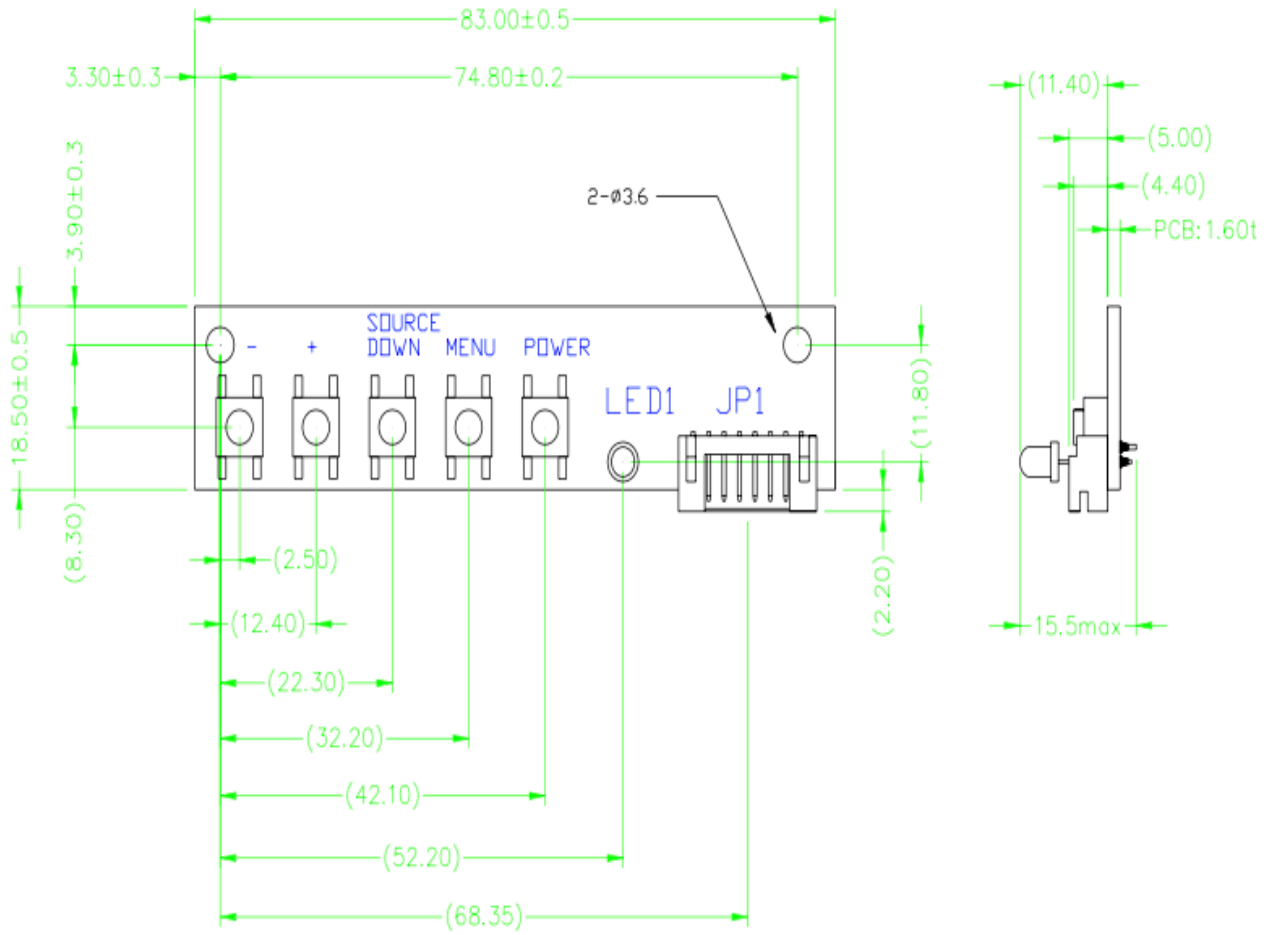
5.4 Storage Humidity: 90%RH (no condensation)

6. Operating Power condition

(Ta=25°C)

| item | Min. | Typ. | Max. | Unit |
|-------------------|-------|-------|------|------|
| Operating Voltage | +9.0V | +12.0 | 14.0 | V |
| Operating Current | - | 100 | 130 | mA |

7.1 Button sketch



Y2 (Button Definitio) 8PIN/2.0

| PIN NO. | Definition | Description |
|---------|------------|--------------------|
| 1 | MENU | Menu |
| 2 | RIGH | - |
| 3 | LEFT | + |
| 4 | SOURCE | Signal switch Menu |
| 5 | POWER | Switch |
| 6 | IR | IR Receiving |
| 7 | GND | Ground |
| 8 | VCC | 3.3V Power |
| | | |

8. Product Pin definition

CN16(CVBS SIGNAL INPUT) 6PIN/2.0

| Pin NO. | Defintion | Description |
|---------|-----------|--------------------|
| 1 | VDD | Power input +12.0V |
| 2 | DGND | Power Ground |
| 3 | CVBS2 | AV2 signal input |
| 4 | AGND | Signal Ground |
| 5 | CVBS1 | AV1 signal input |
| 6 | AGND | Signal Ground |
| | | |

J11(VGA SIGNAL INPUT) 12PIN/2.0

| PIN NO. | Definition | Description |
|---------|------------|------------------------------|
| 1 | GND | Ground |
| 2 | VS | Frame synchronization signal |
| 3 | HS | Line synchronization Signal |
| 4 | GND | Ground |
| 5 | R+ | Red signal + |
| 6 | GND | GND |
| 7 | G+ | Green signal + |
| 8 | GND | Ground |
| 9 | B+ | Blue signal + |
| 10 | GND | Ground |
| 11 | NC | NO Connection |
| 12 | NC | NO Connection |