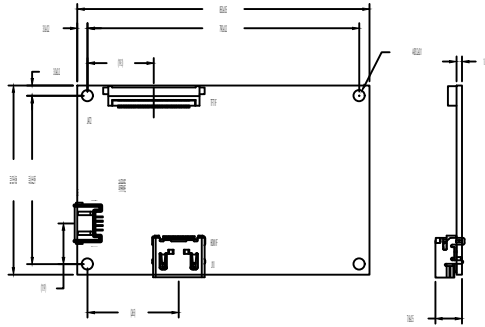
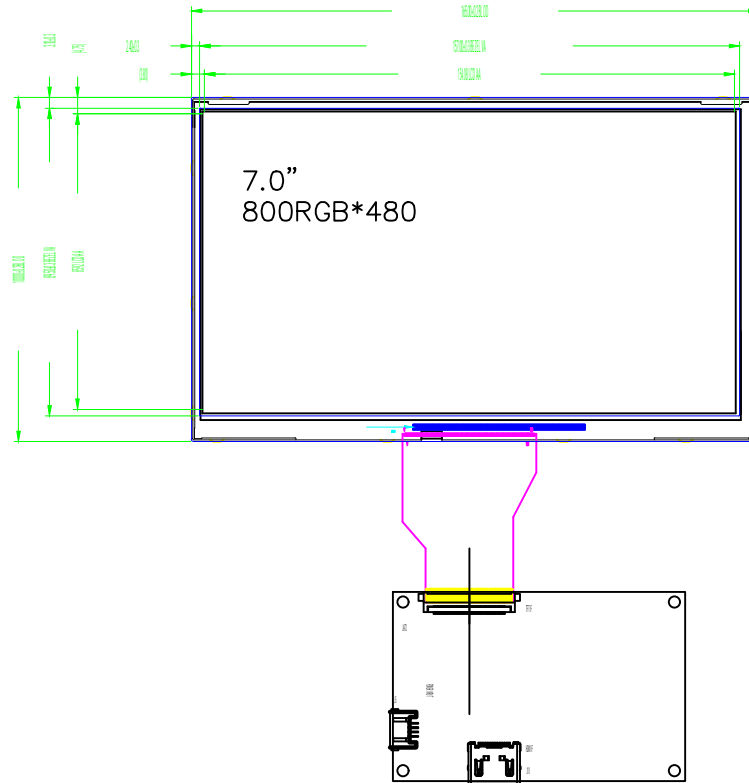


# HDMI TO LVDS



## NOTES:

1. LVDS TO HDMI BOARD POWER:12.0V DC



## ASSEMBLY DIAGRAM

REV	DC/EC NUMBER	DESCRIPTION	DATE

### J10: HDMI ASSIGNMENT

PIN	ASSIGNMENT
1	TMDS Data2+
2	TMDS Data2 Shield
3	TMDS Data2-
4	TMDS Data1+
5	TMDS Data1 Shield
6	TMDS Data1-
7	TMDS Data0+
8	TMDS Data0 Shield
9	TMDS Data0-
10	TMDS Clock+
11	TMDS Clock Shield
12	TMDS Clock-
13	CEC
14	NC
15	SCL
16	SDA
17	DDC/CEC Ground
18	+5V Power
19	Hot Plug Detect

### JAT2: TFT ASSIGNMENT

PIN	ASSIGNMENT
1	LEDA
2	LEDA
3	LEDK
4	LEDK
5	GND
6	VCOM
7	DVDD
8	MODE
9	DE
10	VS
11	HS
12	B7
13	B6
14	B5
15	B4
16	B3
17	B2
18	B1
19	B0
20	G7
21	G6
22	G5
23	G4
24	G3
25	G2
26	G1
27	G0
28	R7
29	R6
30	R5
31	R4
32	R3
33	R2
34	R1
35	R0
36	GND
37	DCLK
38	GND
39	L/R
40	U/D
41	VGH
42	VGL
43	AVDD
44	RESET
45	NC
46	VCOM
47	DITHB
48	GND
49	NC
50	NC

### PARAMETER

PARAMETER	UNIT
1	mm
2	mm
3	mm
4	mm

CONTROL DIMENTION:		<b>XINSUN Display</b>		
REFERENCE DIMENTION:	( )			
APPROVED:	JOBS	MODEL NAME	3rd ANGLE	
CHECKED:	ERIC	PART NAME	UNIT	mm
DESIGNED:	ISSCA	DRAWING NUMBER	SCALE	1:1
		MATERIAL NUMBER	PAGE	1/1